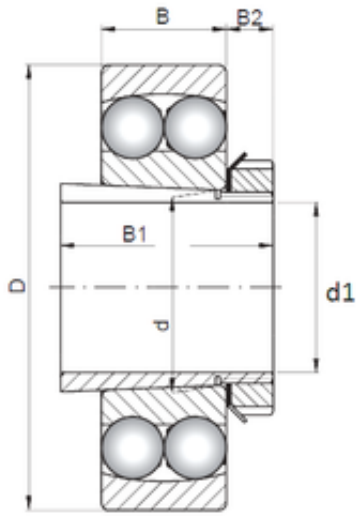




# Bearing?Power Machinery Co., Ltd.



## ISO 2216K+H316 self aligning ball bearings

Bearing No. 2216K+H316

Size	80x140x33 mm
Bore Diameter	80 mm
Outer Diameter	140 mm
Width	33 mm
d	80 mm
d1	70 mm
D	140 mm
B	33 mm
C	33 mm
B1	59 mm
B2	17 mm

2216K+H316 Bearing 2D drawings and 3D CAD models