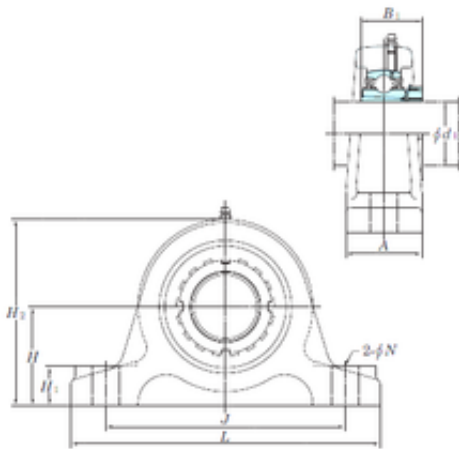




# Bearing?Power Machinery Co., Ltd.



UKIP210 Bearing 2D drawings and 3D CAD models

## KOYO UKIP210 bearing units

Bearing No. UKIP210

Bore Diameter	45 mm
Width	70 mm
d	45 mm
A	60 mm
B1	42 mm
H	70 mm
H1	28 mm
H2	132 mm
J	170 mm
L	220 mm
N	19 mm
Bolt (G)	M16
Weight	4,8 Kg
Basic dynamic load rating (C)	35,1 kN
Basic static load rating (C0)	23,3 kN