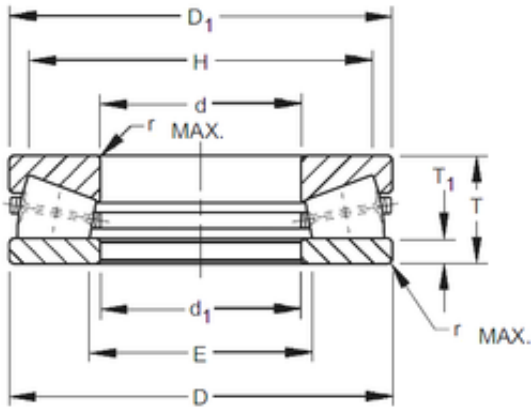




Timken A-6096-C thrust roller bearings

Bearing No. A-6096-C



A-6096-C Bearing 2D drawings and 3D CAD models

| | |
|----------------|---------------------|
| Size | 508x990.6x196.85 mm |
| Bore Diameter | 508 mm |
| Outer Diameter | 990,6 mm |
| Width | 196,85 mm |
| d | 508 mm |
| D | 990,6 mm |
| T | 196,85 mm |
| r max | 12,7 mm |
| T1 | 67,47 mm |
| d1 | 508,58 mm |
| D1 | 990,6 mm |
| E | 563,6 mm |
| H | 927,1 mm |